

Vehicle	STANDARD	OPTIONAL
AM licence L6e variants from 14 years of age (depending on the country) and N1, L7e with licence B (according to french law)	•	
Oversized, anti-corrosion aluminium chassis	•	
Dual triangle suspensions	•	
Driver's seat designed by occupational ergonomists	•	
High UV resistance mass-coloured ABS bodywork	•	
Rear window	•	
Standard colour: Blanc RAL 1099	•	
13" wheel covers	•	
Anti-puncture spray	•	
Specific bodywork colours (outside range)		•
Towing hook		•
Side units (1)		•
CLIP SYSTEM: Modular "Quick rear equipment change system" (1)		•
NEW ! Right-hand drive		•
NEW ! Power steering		•
Safety	STANDARD	OPTIONAL
Braking provided by 4 disk brakes	•	
4-function LED front lights: daytime running lights, automatic lights, dipped beam, full beam and direction indicators	•	
3-point seat belts	•	
Front and rear bodywork and goods protection bumpers	•	
Immobilizer system	•	
A.V.A.S Acoustic Vehicle Alert System (Only on N1 version)	•	
Audible and visual warning of unfastened seat belt	•	
Pedestrian warning	•	
Reversing warning		•
Class 2 reflective strips (only on L3 version with skip)		•
LED flashing lights or AK5 LED work indicator triangle or Full kit (Roof ramp with Triangle + 2 flashing lights)		•
Safety kit (waistcoat / triangle / breathalyzer / bulbs)		•
Powder extinguisher		•
Right & Left glass doors(6)		•
NEW ! Spare tyre kit : Spare wheel + wheel jack + crank		•
NEW ! Rearview camera		•
Bi-Speed - enables the maximum speed to be alternated at 25 km/h or 45 km/h (L6e-N1) or 65km/h (L7e)		•
Electrical performances	STANDARD	OPTIONAL
Vehicle charge on domestic socket and adaptable according to country	•	
Energy recovery on braking	•	
On board 5 m charge cable	•	
Safety charging cable	•	
Comfort	STANDARD	OPTIONAL
5.3" colour LCD multi-function counter panel : Tachometer, odometer, battery charge indicator	•	
Non-slip chequered aluminium reinforced central foot rest zone	•	
12V plug		•
Bluetooth function car radio and mic for calls		•
Standard electric or Eberspacher type heating		•
Heated windscreen		•
Rubber front carpets		•
Front rubber mudflaps		•
Flatbed rear equipment	STANDARD	OPTIONAL
Flatbed with tool holder		•
Hydraulic cylinder (1) (3)		•
Right and left side open boosters (1)		•
Rear side open booster (need to have right and left sides) (1)		•
Skip tipper (without separation) (1) (2)		•
Sprinkling and spraying equipment - 200 litres or thermal high pressure cleaner (130bars - 200 litres) (1) (4)		•
Accessories for drop side: cover (5), net (4), stowing ring (4), tool holder (1)		•
Box van rear equipment	STANDARD	OPTIONAL
Box van with rear roller shutter		•
Box van with rear + left and right roller shutters (1)		•
Isothermal or cooling box (ATP certification included) (1) (2)		•

(1) Only on long version

(2) CLIP SYSTEM incompatibility

(3) Battery pack 11,02 & 17,2 kWh incompatibility

(4) Only on fixed flatbed

(5) Only on flatbed with tool holder

(6) Only with heating system

TECHNICAL CHARACTERISTICS

	L6e SHORT	N1 SHORT OR LONG	N1 LONG	L7e SHORT OR LONG		L7e LONG
Batteries kWh	8,6	8,6	2 x 8,6	8,6	2 x 5,51	2 x 8,6
Cycle autonomy*	Until 122 km	Until 93 km	Until 185 km	Until 129 km	Until 161 km	Until 246 km
Charging time (h)	+/- 5h30	+/- 5h30	+/- 10h	+/- 5h30	+/- 6h30	+/- 10h
Number of battery	1	1	2	1	2	
Power rating in kW**	5,9	8,1		8,2		
Max unloaded speed	45 km/h			65 km/h		
Voltage (V)	48			45	48	
Transmission	Automatic					
Battery type	Lithium					
Battery maintenance	No maintenance					
Main supply	Domestic mains (230 V - 16 A)					
Charging power	2000 W					
Number of seats	2					
Engine type	Asynchronous					
On-board charger	Yes					
Battery monitoring	Yes					

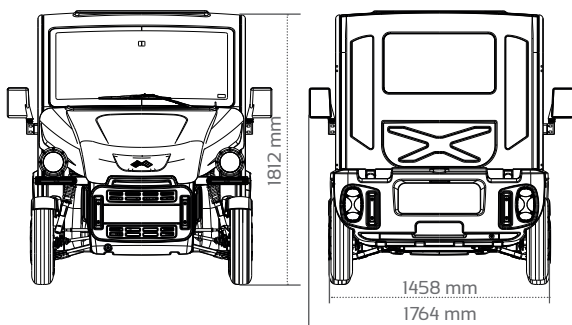
PAYLOAD (kg)

(including rear equipment, with driver)

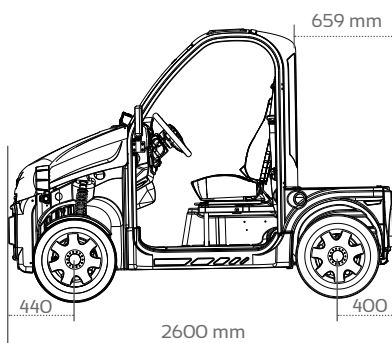
	PULSE 4 • SHORT			PULSE 4 • LONG			
	L6e 8,6 kWh	N1 8,6 kWh	L7e 8,6 kWh 2 x 5,51 kWh	N1 8,6 kWh	N1 2 x 8,6 kWh	L7e 8,6 kWh	L7e 2 x 5,51 kWh 2 x 8,6 kWh
L1 - BOX VAN WITH REAR ROLLER SHUTTER	179	200	179				
L1 - FLATBED FIXED	201	200	201				
L3 - BOX VAN WITH REAR ROLLER SHUTTER				350	350	274	274
L3 - BOX VAN WITH RIGHT-LEFT & REAR ROLLER SHUTTERS				350	350	240	240
L3 - SKIP TIPPER				300	300	134	134
L3 - FLATBED FIXED				350	350	252	252
L3 - TILTING FLATBED				421		308	
L3 - ISOTHERMAL BOX				250	250	149	149
L3 - COOLING BOX				250	250		

DIMENSIONS (mm)

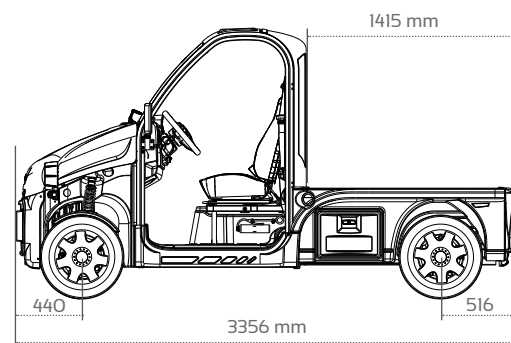
Pulse 4
Short or long body



Pulse 4
Short body



Pulse 4
Long body



*Estimated values according to WMTC (L6e/L7e) - WLTP (N1) cycles
 **According to R85 or 30mm¹
 Conception : Ligier Group 05.2023