

PULSE 4

TECHNICAL CHARACTERISTICS

	L6e SHORT	N1 SHORT OR LONG	N1 LONG	L7e SHORT OR LONG		L7e LONG
Batteries kWh	8,6	8,6	2 x 8,6	8,6	2 x 5,51	2 x 8,6
Cycle autonomy ⁽¹⁾	Until 122 km	Until 93 km	Until 185 km	Until 129 km	Until 161 km	Until 246 km
Charging time (h)	+/- 5h30	+/- 5h30	+/- 10h	+/- 5h30	+/- 6h30	+/- 10h
Number of battery	1	1	2	1	2	
Power rating in kW ⁽²⁾	5,9	8,1		8,2		
Max unloaded speed	45 km/h			65 km/h		
Voltage (V)	48			45	48	
Transmission	Automatic					
Battery type	Lithium					
Battery maintenance	No maintenance					
Main supply	Domestic mains (230 V - 16 A)					
Charging power	2000 W					
Number of seats	2					
Engine type	Asynchronous					
On-board charger	Yes					
Battery monitoring	Yes					

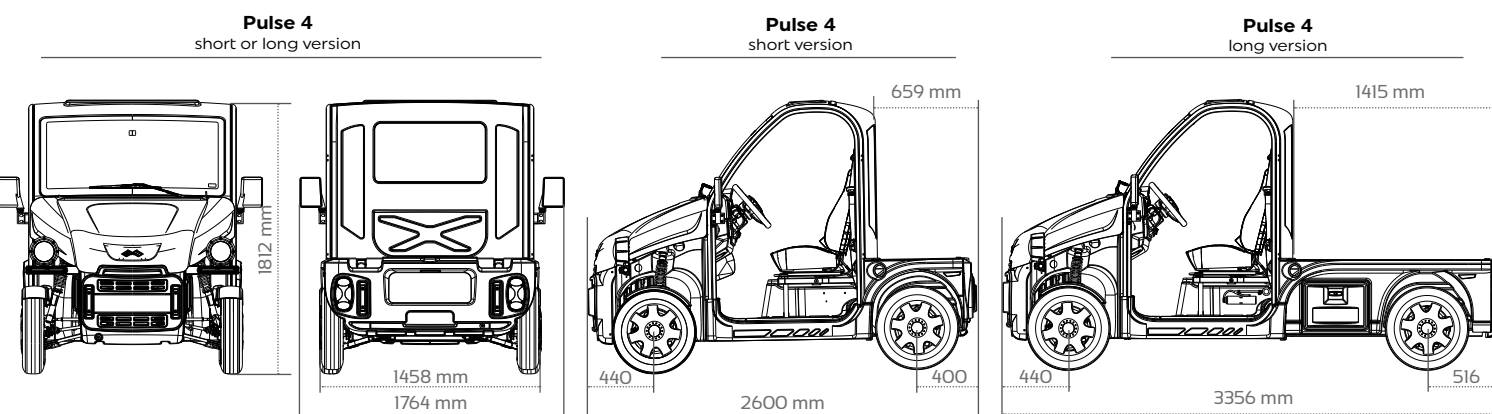
⁽¹⁾ Estimated values according to WMTC (L6e/L7e) - WLTP (N1) cycles / ⁽²⁾ According to R85 or 30mn⁻¹

PAYLOAD (kg)

(including rear equipment, with driver)

	PULSE 4 • SHORT			PULSE 4 • LONG			
	L6e	N1	L7e	N1	N1	L7e	L7e
	8,6 kWh	8,6 kWh	8,6 kWh 2x5,51 kWh	8,6 kWh	2 x 8,6 kWh	8,6 kWh	2 x 5,51 kWh 2 x 8,6 kWh
L1 - BOX VAN WITH REAR ROLLER SHUTTER	179	200	179				
L1 - FLATBED FIXED	201	200	201				
L3 - BOX VAN WITH REAR ROLLER SHUTTER				350	350	274	274
L3 - BOX VAN WITH RIGHT-LEFT & REAR ROLLER SHUTTERS				350	350	240	240
L3 - SKIP TIPPER				300	300	134	134
L3 - FLATBED FIXED				350	350	252	252
L3 - TILTING FLATBED				421		308	
L3 - ISOTHERMAL BOX				250	250	149	149
L3 - REFRIGERATED BOX				250	250		

DIMENSIONS (mm)



**LIGIER
PROFESSIONAL,
Pioneer in the
micro-utility market
in Europe.**

Ligier Professional's range of electric micro-utility vehicles is an effective response to the challenges of logistics and last-mile delivery, offering transport's mode that better suits to new forms of mobility and local needs.

For more than 10 years, Ligier Professional has been providing European postal services, local authorities and major delivery accounts with a range of practical, agile electric vehicles designed to adapt to traffic constraints in both urban and rural areas.

A service focused on customer needs.

With its extensive distribution and repair network, Ligier Professional guarantees you a close relationship. Take advantage of the expertise of a network of trained professionals to ensure the purchase and maintenance of your vehicle.

Customer satisfaction is at the top of our ambitions, that's why Ligier Group provides quality support to all its partners by offering the intervention of qualified teams, trainings and a personalised and complementary service.

YOUR DEALER :

LIGIER
PROFESSIONAL

AD. BACHMANN AG

Ligier Generalvertretung
Wilerstrasse 16
9554 Tägerchen TG
Telefon 071 918 80 20
info@adbachmannag.ch
www.adbachmannag.ch

See laws in your country. Lithium battery guaranteed for 2 years against defects in electrical, electronic or mechanical components. Lithium battery guaranteed for 5 years or 1500 cycles in the event of an electrical, electronic or mechanical component fault. Battery capacity guaranteed for a total of 12 months, then degressive for the following 48 months according to specific formulas and usage and maintenance recommendations. Chassis manufacturer's warranty for two years, one year for the rear accessory. The manufacturer reserves the right to modify the models described in this document at any time and without prior notice. Photos are non-contractual. The colours shown on these pages are for information purposes only, as the printing process cannot accurately reproduce the brilliance of the colours. Ligier Group S.A.S.U. au capital de 2 691 000 € - Siège social: 105 route d'Hauterive - 03 200 Abrest - R.C.S. de Cusset n° 712 000 272 - Crédits photos: Bastien Aubert - Josselin LEVEQUE - Simpol - Conception: Ligier Group - 09.2023 - 1424697

LIGIER PROFESSIONAL'S RANGE



The sectors of activity we supply



Mail and parcel
distributors
in Europe



Transporters



Regional
authorities



Major sites
and industries



Tradesmen

PULSE 4

100% ELECTRIC PROFESSIONAL VEHICLES

SEPTEMBER 2023



Pulse 4 Short
Box Van

Pulse 4 Long
Tilting flatbed

100%

**ELECTRIC
MODULAR
CUSTOMISABLE**

LIGIER
PROFESSIONAL

PULSE 4

Professional vehicle that adapts to your activities!



INTENSIVE USE

- Payload up to 420kg
- Aluminium chassis **anti-corrosion reinforced**
- **Ergonomic** driving position

ELECTRICAL PERFORMANCE

- 4 battery powers for an autonomy range up to 246km*
- Recovering energy from braking
- Charging via **domestic socket**

SAFETY

- **Reinforced** driving cell
- **Pedestrian warning** and **reversing bip** (optional)
- 4 **disk brakes**

PULSE 4

Optimise your fleet!

PULSE 4 SHORT

L6e·N1·L7e



Box van with rear roller shutter

UP TO 200 Kg* UP TO 1,26M³



Fixed flatbed

UP TO 200 Kg*

Also available as a without licence version !

PULSE 4 LONG

N1·L7e



Box van with rear + left and right roller shutters

UP TO 350 Kg* UP TO 2 M³



Fixed or tipping flatbed

UP TO 421 Kg*



Skip tipper

UP TO 300 Kg* UP TO 1,15 M³



Isothermal or refrigerated box

UP TO 250 Kg* UP TO 1,2 M³

The + : Clip System !

Interchange rear configurations in 5 minutes** !

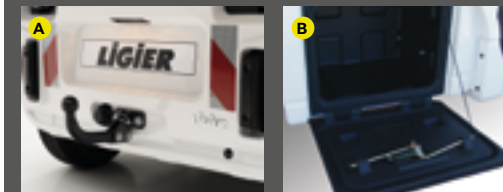
- ⌚ 5 minutes
- 👤 1 person
- 🛠️ 0 tool



Original Innovation
Ligier Professional

* In N1 configuration, rear equipment included, with driver
** Changing the rear configuration from a flatbed to a box base is authorised only for use on closed circuits without official road signs.

Made-to-measure customisation!



Towing hook

Side storage boxes



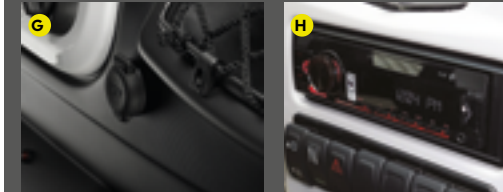
Power steering

Class 2 reflective strips



Full kit roof LED lights + AK5

Glass doors



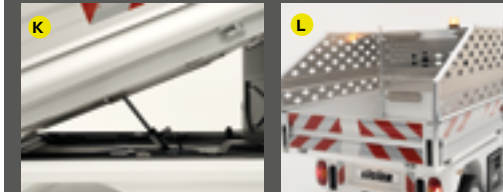
12V plug

Bluetooth car radio



Rubber front carpets

Front rubber mudflaps



Hydraulics for tipping body

Side mesh



High pressure cleaner

Sprinkling and spraying

L6e · N1 · L7e
EQUIPMENTS

PULSE 4

STANDARD

OPTIONAL

Vehicle	STANDARD	OPTIONAL
AM licence L6e variants from 14 years of age (depending on the country) and N1, L7e with licence B (according to french law)	•	
Reinforced anti-corrosion aluminium chassis	•	
Dual triangle suspensions	•	
Driver's seat designed by occupational ergonomists	•	
High UV resistance mass-coloured ABS bodywork	•	
Rear window	•	
Standard colour: Blanc RAL 1099	•	
13" wheel covers	•	
Anti-puncture spray	•	
Specific bodywork colours (outside range)		•
A Towing hook		•
B Side storage boxes (1)		•
CLIP SYSTEM: Modular "Quick rear equipment change system" (1)		•
NEW ! Right-hand drive		•
NEW ! Power steering		•
Safety	STANDARD	OPTIONAL
Braking provided by 4 disk brakes	•	
4-function LED front lights: daytime running lights, automatic lights, dipped beam, full beam and direction indicators	•	
3-point seat belts	•	
Front and rear bodywork and goods protection bumpers	•	
Immobilizer system	•	
A.V.A.S Acoustic Vehicle Alert System (Only on N1 version)	•	
Audible and visual warning of unfastened seat belt	•	
Pedestrian warning	•	
Reversing warning		•
D Class 2 reflective strips (only on L3 version with skip)		•
E LED flashing lights or AK5 LED work indicator triangle or Full kit (Roof ramp with Triangle + 2 flashing lights)		•
Safety kit (waistcoat / triangle / breathalyzer / bulbs)		•
Powder extinguisher		•
F Right & Left glass doors(6)		•
NEW ! Spare tyre kit : Spare wheel + wheel jack + crank		•
NEW ! Rearview camera		•
Bi-Speed - enables the maximum speed to be alternated at 25 km/h or 45 km/h (L6e-N1) or 65km/h (L7e)		•
Electrical performances	STANDARD	OPTIONAL
Vehicle charge on domestic socket and adaptable according to country	•	
Energy recovery on braking	•	
On board 5 m charge cable	•	
Safety charging cable	•	
Comfort	STANDARD	OPTIONAL
5.3" colour LCD multi-function counter panel : Tachometer, odometer, battery charge indicator	•	
Non-slip chequered aluminium reinforced central foot rest zone	•	
G 12V plug		•
H Bluetooth function car radio and mic for calls		•
Standard electric or Eberspacher type heating		•
Heated windscreen		•
I Rubber front carpets		•
J Front rubber mudflaps		•
Flatbed rear equipment	STANDARD	OPTIONAL
Flatbed with tool holder	•	
K hydraulics for tipping body (1) (3)		•
L Right and left side mesh (1)		•
Rear side open booster (need to have right and left sides) (1)		•
Skip tipper (without separation) (1) (2)		•
M Sprinkling and spraying equipment - 200 litres or thermal high pressure cleaner (130bars - 200 litres) (1) (4)		•
Accessories for drop side: cover (5), net (4), stowing ring (4), tool holder (1)		•
Box van rear equipment	STANDARD	OPTIONAL
Box van with rear roller shutter	•	
Box van with rear + left and right roller shutters (1)		•
Isothermal or refrigerated box (ATP certification included) (1) (2)		•

(1) Only on long version
(2) CLIP SYSTEM incompatibility
(3) Battery pack 11,02 & 17,2 kWh incompatibility
(4) Only on fixed flatbed
(5) Only on flatbed with tool holder
(6) Only with heating system

LIGIER
PROFESSIONAL